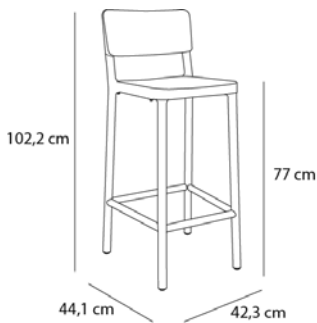


STOOLS LISBOA

Designed by **Joan Gaspar**



CERTIFICATIONS

UNE-EN 581-1, UNE-EN 581-2, UNE-EN 16139

LISBOA HIGH STOOL

Stool for indoor and outdoor use. Injected with fiberglass and PP using gas assisted injection moulding technology. UV protection.

MEASUREMENTS

W 42,3cm × L 44,1cm × H 102,2cm × Hs 77cm

W 16.66in × L 17.37in × H 40.24in × Hs 30.32in

CHARACTERISTICS

Weight 4,09 Kg.

STD units	Packaging dim. (cm)	Units Container 20'	Units Container 40'	Units Container HC	Units Trayler 70m ³	Units Truck 100m ³
2X	40 × 60 × 94	246	520	592	632	652
4X	43 × 67 × 94	352	720	800	960	1088

SHELL COLOR



CERTIFICATIONS

UNE-EN 581-1, UNE-EN 581-2, UNE-EN 16139

LISBOA LOW STOOL

Stool for indoor and outdoor use. Injected with fiberglass and PP using gas assisted injection moulding technology. UV protection.

MEASUREMENTS

W 40,8cm × L 42,9cm × H 72,9cm × Hs 47,6cm

W 16.07in × L 16.89in × H 28.7in × Hs 18.75in

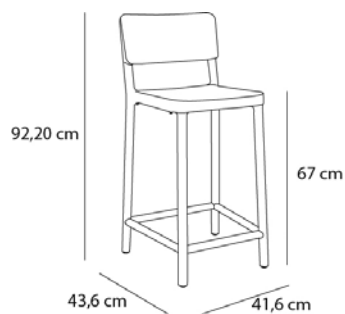
CHARACTERISTICS

Weight 2,9 Kg.

STD units	Packaging dim. (cm)	Units Container 20'	Units Container 40'	Units Container HC	Units Trayler 70m ³	Units Truck 100m ³
2X	40 × 60 × 94	246	520	592	632	652
4X	40 × 60 × 94	492	1040	1184	1264	1304

SHELL COLOR





LISBOA MEDIUM STOOL

Stool for indoor and outdoor use. Injected with fiberglass and PP using gas assisted injection moulding technology. UV protection.

MEASUREMENTS

W 41,6cm × L 43,6cm × H 92,2cm × Hs 67cm

W 16.38in × L 17.17in × H 36.3in × Hs 26.38in

CHARACTERISTICS

Weight 3,83 Kg.

CERTIFICATIONS

UNE-EN 581-1, UNE-EN 581-2, UNE-EN 16139

STD units	Packaging dim. (cm)	Units Container 20'	Units Container 40'	Units Container HC	Units Trayler 70m ³	Units Truck 100m ³
2X	40 × 60 × 94	246	520	592	632	652
4X	40 × 60 × 94	492	1040	1184	1264	1034

SHELL COLOR

