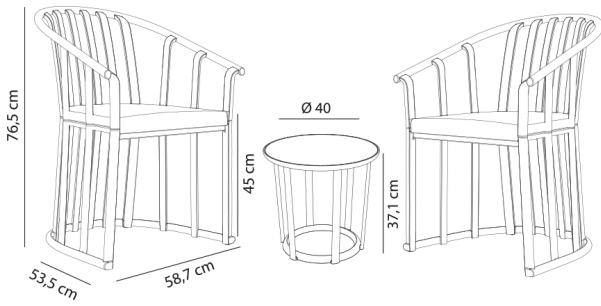


Technical specifications

Raff Set without cushions

By Joan Gaspar



Set for indoor and outdoor use, consisting of 2 armchairs and a table. Injected with fiberglass and PP. UV protection. Net weight 16kg. The set is available in two versions, with or without cushions. Optimal packaging.

Weight
16 Kg
35.27 lb

Certificates
UNEEN581-1
UNEEN581-2

Logistical information

Units	Packaging (cm)	Packaging (in)	m ³	ft ³	Peso Br. (kg)	Gross We. (lb)
1X	63 x 60 x 60	24.8 x 23.62 x 23.62	0.227	8.02	16.8	37.04

Sustainable Production - Environmental Commitment

Resol invests money and resources in research and the search for more sustainable processes.

All Resol products are produced with responsible use of water.

Under no circumstances are hazardous chemicals used during production.

At Resol, all waste is managed in a sustainable and responsible manner.



RESOL

Technical specifications

Raff Set without cushions

By Joan Gaspar

Variants



Sand Raff Set (2 armchairs + 1 Table)
04966



Black Raff Set (2 armchairs + 1 Table)
04967



Tuscan Raff Set (2 armchairs + 1 Table)
04970



Chocolate Raff Set (2 armchairs + 1 Table)
04971

Sustainable Production - Environmental Commitment

Resol invests money and resources in research and the search for more sustainable processes.

All Resol products are produced with responsible use of water.

Under no circumstances are hazardous chemicals used during production.

At Resol, all waste is managed in a sustainable and responsible manner.



RESOL